

The beach masters ...



BeachTech 2800

BeachTech.

Give your beach the feel-good factor.



A heavenly beach!

The beach is glittering brightly in the sunlight as the waves are breaking quietly on the shore. Virginal, untouched and clean – this is how your guests want a beach to be! These holiday dreams can be turned into reality with BeachTech beach cleaning equipment. Spotlessly clean beaches every single day, with no rubbish, debris, oil patches or algae. This is the perfect environment for a dream holiday.

A well-kept beach – your visiting card!

Guests who feel comfortable love to come back. The BeachTech makes sure your guests will have fond memories of their beach holiday. Perfect beach cleaning – economical, efficient and reliable – is the basis for that. BeachTech makes your guests feel comfortable because the beach looks exactly as it should!

BeachTech 2800.

Great performance for cleaning large areas combined with excellent manoeuvrability – this is the all-round model for medium-sized and large beaches. The BeachTech 2800 combines the advantages of the BeachTech 3000 and BeachTech 2000 models: a large working width and compact exterior dimensions. Fully developed beach cleaning technology and a large loading capacity result in optimum cleaning characteristics, as these machines clean up to 30,000 square metres per hour. All you need is a towing vehicle – the BeachTech will take care of the rest.



Reliable, safe beach cleaning machinery to meet our customers' requirements. BeachTech offers high-quality products that are equipped with the patented raking, screening and mixing technology method from Kässbohrer Geländefahrzeug AG. This technology allows you to clean beaches in only one work cycle.

- 1** The BeachTech 2000 for small and mid-sized beaches.
- 2** BeachTech 3000: The model with the largest load capacity.
- 3** BeachTech *Marina*: The multifunctional model with included towing vehicle.
- 4** A clean beach and the track structure reveal that the beach was cleaned with BeachTech.
- 5** The BeachTech 2800 is the economical solution for large beaches.

BeachTech 2800 – the idea.

Everything must be prepared before the first guests arrive, as clean beaches are now obligatory for successful seaside tourism. This is exactly what the BeachTech was designed for. It cleans up while your guests are still asleep – the basis for a perfect day on the beach.

BeachTech 2800 – the solution.

BeachTech provides the technology for cleaning beaches in only one work cycle. Kässbohrer Geländefahrzeug AG has set standards with the patented raking, screening and mixing technology method. We provide an economical, efficient solution built into a high-quality, durable vehicle.

BeachTech 2800.

The right sales point for every requirement.

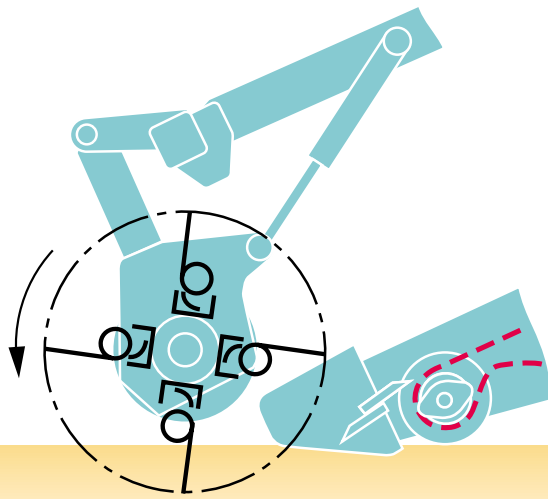


- 1** Cleans wet beaches as well: use the rake to remove large chunks of waste right up to the water's edge.
- 2** Stepless adjustment: the pick-up roller with variable positioning picks up the dirt.
- 3** Cleaner than clean: even very small dirt particles are separated from the sand with the vibrating screening belt.

- 4** Innovative technology: the eccentric shafts vibrate the screening belt.
- 5** Perfect overview: the driver has a clear view of the work area.
- 6** Very high up: high discharge of the collecting tank.
- 7** A dream beach: the hydraulically lifting finisher with automatic unloading flap function makes for a perfect surface structure.

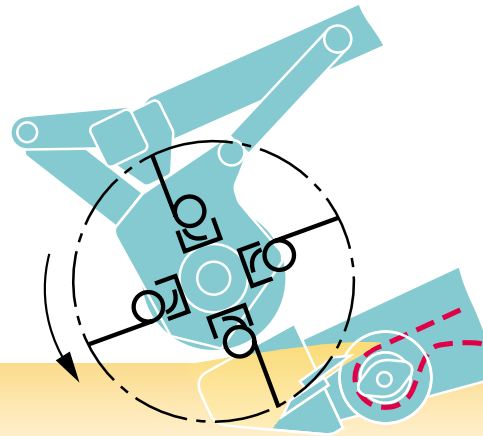
Wet or dry – cleanliness guaranteed.

BeachTech provides the technology for cleaning beaches in only one work cycle. Kässbohrer Geländefahrzeug AG has set standards with the patented raking, screening and mixing technology method. We provide an economical, efficient solution built into a high-quality, durable vehicle.



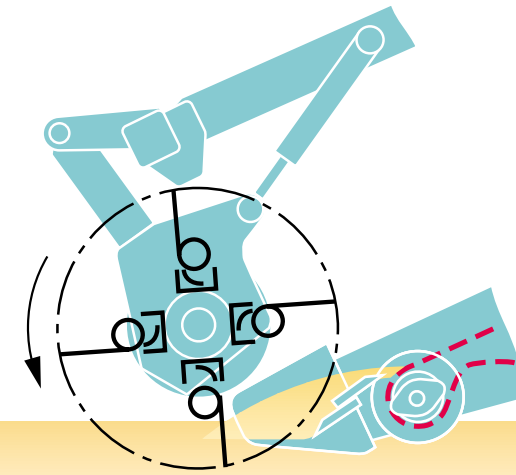
Raking technology

- Sand: wet or dry
- Surface cleaning
- Large particles of dirt
e.g. removing algae



Screening technology

- Sand: dry
- Surface and deep cleaning
- Small particles of dirt
e.g. cigarette butts



Mixing technology

- Sand: dry to damp
- Surface and deep cleaning
- Large and fine particles of dirt
e.g. algae and cigarette butts

Switching modes without stopping.

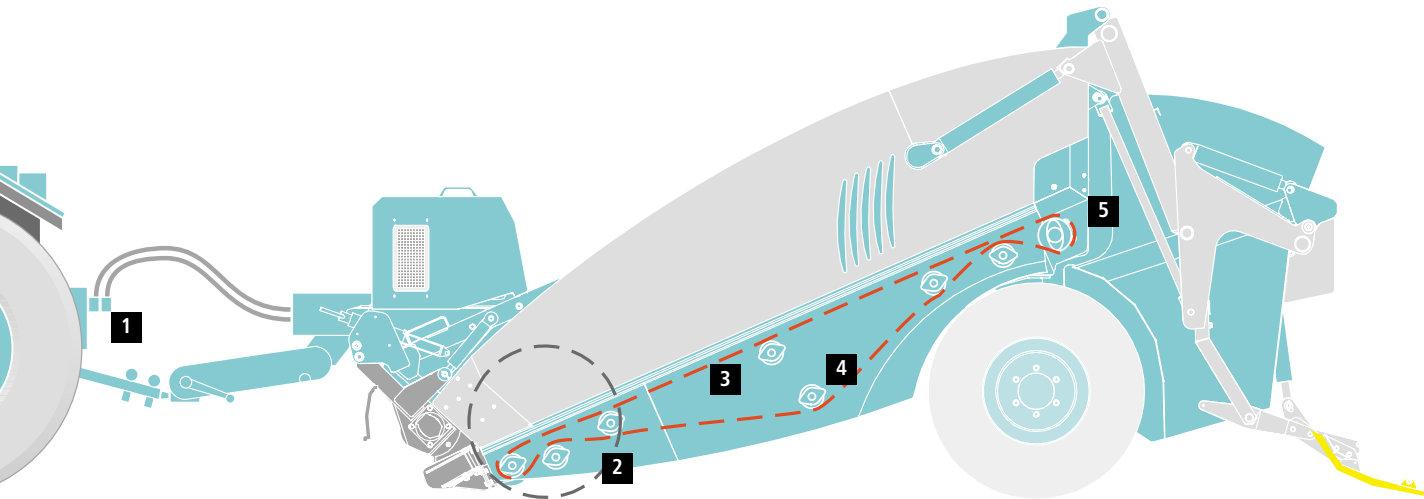
Non-stop cleaning is guaranteed by the BeachTech 2800. The mixing technology allows the driver to combine both cleaning techniques. If he drives from the damp onto the dry section of the beach, he may switch between raking, screening and mixing at any time without stopping. This allows him to clean the entire beach in one work cycle with no unnecessary delays.

The solution for any kind of sand.

The BeachTech 2800 offers excellent cleaning performance on any sand – wet, damp or dry. With the sensing wheels available as an optional extra, uniform depth guidance is guaranteed even on very uneven terrain. This makes the BeachTech 2800 the perfect choice for difficult terrain.

Technical data.

For those who want more.



- 1** Stick-on pump for increased manoeuvrability.
- 2** Optional: sensing wheel for constant depth guidance.
- 3** Easy access for screening unit maintenance.
- 4** Tension roller for better screening performance and, as a result, longer maintenance intervals.
- 5** Reversing valve for the screening unit and the anti-lock technology.

Any towing vehicle with an auxiliary drive power output of at least 59 kW (80 ECE bhp) and a standard auxiliary drive engine speed of 1,000 rpm can be used to drive the BeachTech 2800.



| | | | | | |
|---------------------------|----------|----------------------------------------------|----------|-------------------------------|--------------------------------|
| Total vehicle length..... | 5,800 mm | Discharging height for the collecting tank.. | 2,600 mm | Working width | up to 2,500 mm |
| Vehicle width..... | 2,500 mm | Unladen weight | 2,500 kg | Cleaning performance | up to 30.000 m ² /h |
| Vehicle height..... | 2,190 mm | Maximum weight* | 4,500 kg | Working depth | up to 300 mm |
| Tyre width..... | 520 mm | * in accordance with country-specific laws | | Collecting tank capacity..... | 2.8 m ³ |

BeachTech is backed by a large company.

The public company Kässbohrer Geländefahrzeug AG is the world's leading supplier of vehicles for cleaning ski slopes, beaches and the environment. The company has several international subsidiaries, more than 400 employees and generates a turnover of more than 130 million euros.

We achieved our market leader position with the BeachTech and PistenBully brands through innovative technologies, a consistently high quality standard and our recognised services.



The BeachTech service.

We are always there for you but rarely visible. We guarantee fast support and spare parts delivery. Worldwide sales and service network in more than 40 countries, to which we deliver parts from our central Laupheim spare parts inventory daily. More than 16,000 parts are stored here for fast delivery. Our extensive services are complemented by a particularly efficient concept consisting of training, consulting and experience

exchange, which will make you largely independent. Multiple-day training courses for customer service and workshop staff as well as drivers are held in our training and information centre. Our topics include optimum use of the products, maintenance and reducing operating costs.

Kässbohrer Geländefahrzeug AG

Kässbohrerstraße 11, 88471 Laupheim/Germany
Tel.: +49 (0) 73 92/9 00-4 61, Fax: +49 (0) 73 92/9 00-4 70
www.beach-tech.com, e-mail: info@beach-tech.com

Italy

Via Galileo Galilei, 32, 39100 Bolzano
Tel.: +39 (0) 4 71/93 30 27, Fax: +39 (0) 4 71/93 29 75
www.beachtech-italia.it, e-mail: info@pistenbully.it

France

Kässbohrer E.S.E.
Portes de Tarentaise, 73790 Tours en Savoie
Tel.: +33 (0) 4 79/10 46 10, Fax: +33 (0) 4 79/10 46 40
www.beach-tech.fr, e-mail: info@pistenbully.fr

USA

Kässbohrer All Terrain Vehicles Inc.
750 A South Rock Boulevard, Reno Nevada 89502
Tel.: +1 (0) 7 75/78 57-50 00, Fax: +1 (0) 7 75/8 57 50 10
www.beachtechusa.com, e-mail: info@beachtechusa.com



KÄSSBOHRER GELÄNDEFahrZEUG AG

About the information contained in this catalogue: There may be changes in the product specification after the copy deadline for this publication. The pictures may contain accessories and optional extras that are not standard equipment. Deviations in colour are caused by printing. Information about statutory, legal and tax-related regulations and consequences apply to the Federal Republic of Germany only. Therefore, please ask your contact at Kässbohrer Geländefahrzeug AG to obtain binding information on the latest status. Printed in Germany on paper bleached without the use of chlorine. 071 · 2/2005 · e1 · GE 3.000